

Model: RC01S

Description: ReelCaddy, 24" Single Spool Rod Caddy
Approximate Total Weight: 32 lbs.

Model: RC01L

Description: ReelCaddy, 36" Single Spool Rod Caddy
Approximate Total Weight: 33 lbs.

Brake Kit (RCB1)

- Durable Plastic Housing
- Knob to Adjust Friction on Reel
- Two (1/2" head) Hex bolts for Secure Hold
- Includes Plastic Spacer
- Prevents Backlash When Dispensing

Base

- 11 Gauge Steel Construction
- Welded Sheet Metal, Box Style
- Powder Coat Finish

Built-In Handle

- Helps Operator to Lift On/Off Service Vehicle

T-Handle

- Comfortable 16" Wide T-Handle
- Designed to Dig Into Ground Surface While In Dispensing Position
- High Quality $\varnothing 1.4"$ Steel Tubing
- Attached Quick-Release Ball Pin

Quick-Release Ball Pin

- Easily Attach or Remove T-Handle in Seconds
- Attached to T-Handle to Prevent Loss

Foot Grip Pad

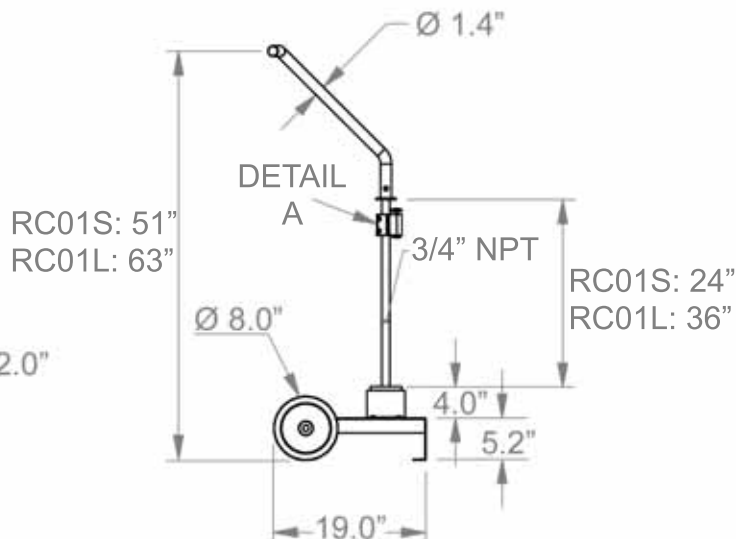
Gives operator secure grip for their foot when lifting ReelCaddy into upright position; especially when loading a cable reel onto ReelCaddy

Wheels

- Premium $\varnothing 8"$ x 2" Wide
- Sealed Roller Bearings
- Heat Resistant



RC01S & RC01L REELCADDY



OPTIONAL RCB1 BRAKE KIT

